

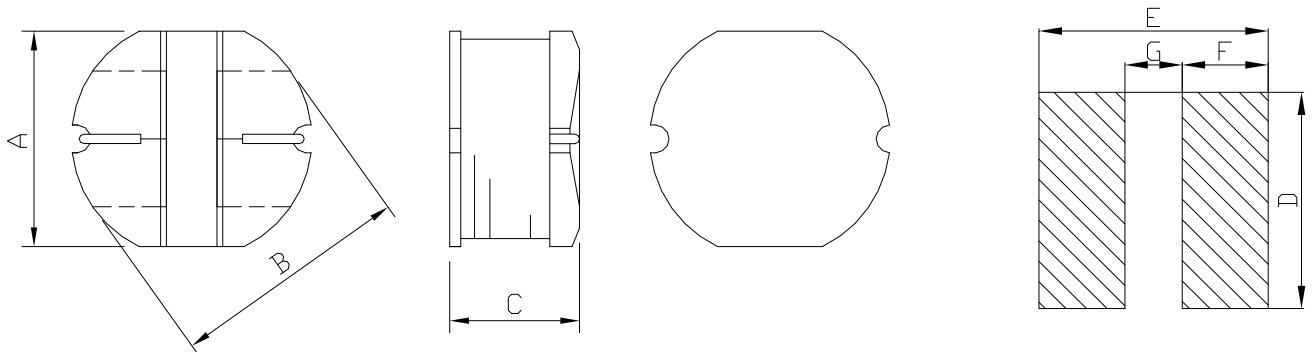
贴片功率电感
SMD POWER INDUCTOR

Type Name: CKD Series



Dimensions/外形尺寸图(Unit:mm)

Land patterns/贴装尺寸



Shape and Size:(Dimensions are in mm)

Type Name/型名	A Max.	B Max.	C Max.	D Ref.	E Ref.	F Ref.	G Ref.
CKD32	3.3	3.8	2.4	3.2	3.5	1.25	1.0
CKD43	4.5	4.8	3.5	4.5	5.0	1.75	1.5
CKD53	5.5	6.0	4.0	4.6	6.0	2.15	1.7
CKD54	5.5	6.0	5.0	5.2	6.0	2.15	1.7
CKD73	7.3	8.1	4.0	7.5	8.0	3.0	2.0
CKD75	7.3	8.1	6.0	7.5	8.0	3.0	2.0
CKD104	9.4	10.4	4.8	9.5	10.0	3.75	2.5
CKD105	9.4	10.4	5.8	9.5	10.0	3.75	2.5

贴片功率电感
SMD POWER INDUCTOR

Specifications/规格

TYPE NAME: CKD32

Part No./品名	Inductance/电感值 (μ H)	Test Condition/ 测试条件	D.C.R./直流阻抗 ($m\Omega$)MAX.	Saturation Current/ 饱和电流(A) MAX.
CKD32-1R0MC	1.0 \pm 20%	100KHz,1V	37	3.30
CKD32-2R2MC	2.2 \pm 20%	100KHz,1V	58	2.30
CKD32-3R3MC	3.3 \pm 20%	100KHz,1V	98	1.80
CKD32-4R7MC	4.7 \pm 20%	100KHz,1V	136	1.50
CKD32-5R6MC	5.6 \pm 20%	100KHz,1V	157	1.35
CKD32-6R8MC	6.8 \pm 20%	100KHz,1V	193	1.20
CKD32-8R2MC	8.2 \pm 20%	100KHz,1V	225	1.10
CKD32-100MC	10 \pm 20%	100KHz,1V	289	0.95
CKD32-120MC	12 \pm 20%	100KHz,1V	323	0.88
CKD32-150MC	15 \pm 20%	100KHz,1V	398	0.80
CKD32-180MC	18 \pm 20%	100KHz,1V	522	0.75
CKD32-220MC	22 \pm 20%	100KHz,1V	665	0.65
CKD32-270MC	27 \pm 20%	100KHz,1V	760	0.60
CKD32-330MC	33 \pm 20%	100KHz,1V	870	0.56
CKD32-390MC	39 \pm 20%	100KHz,1V	1150	0.51
CKD32-470MC	47 \pm 20%	100KHz,1V	1250	0.47
CKD32-560MC	56 \pm 20%	100KHz,1V	1600	0.40
CKD32-680MC	68 \pm 20%	100KHz,1V	1850	0.38
CKD32-820MC	82 \pm 20%	100KHz,1V	2450	0.34
CKD32-101MC	100 \pm 20%	1KHz,1V	2850	0.31
CKD32-121MC	120 \pm 20%	1KHz,1V	3200	0.28
CKD32-151MC	150 \pm 20%	1KHz,1V	4300	0.16
CKD32-181MC	180 \pm 20%	1KHz,1V	5100	0.15
CKD32-221MC	220 \pm 20%	1KHz,1V	7300	0.14
CKD32-271MC	270 \pm 20%	1KHz,1V	8250	0.12
CKD32-331MC	330 \pm 20%	1KHz,1V	10200	0.10

TYPE NAME: CKD43

Part No./品名	Inductance/电感值 (μ H)	Test Condition/ 测试条件	D.C.R./直流阻抗 ($m\Omega$)MAX.	Saturation Current/ 饱和电流(A) MAX.
CKD43-1R0MC	1.0 \pm 20%	100KHz,1V	48.5	2.60
CKD43-1R4MC	1.4 \pm 20%	100KHz,1V	56.0	2.52
CKD43-1R8MC	1.8 \pm 20%	100KHz,1V	63.5	2.30
CKD43-2R2MC	2.2 \pm 20%	100KHz,1V	71.0	2.20
CKD43-2R7MC	2.7 \pm 20%	100KHz,1V	78.5	2.15
CKD43-3R3MC	3.3 \pm 20%	100KHz,1V	86.0	2.00
CKD43-3R9MC	3.9 \pm 20%	100KHz,1V	93.6	1.80
CKD43-4R7MC	4.7 \pm 20%	100KHz,1V	108.5	1.60
CKD43-5R6MC	5.6 \pm 20%	100KHz,1V	125.5	1.45
CKD43-6R8MC	6.8 \pm 20%	100KHz,1V	131.0	1.40
CKD43-8R2MC	8.2 \pm 20%	100KHz,1V	146.0	1.30
CKD43-100MC	10 \pm 20%	100KHz,1V	182	1.00
CKD43-120MC	12 \pm 20%	100KHz,1V	210	0.90
CKD43-150MC	15 \pm 20%	100KHz,1V	235	0.80
CKD43-180MC	18 \pm 20%	100KHz,1V	335	0.75
CKD43-220MC	22 \pm 20%	100KHz,1V	375	0.68
CKD43-270MC	27 \pm 20%	100KHz,1V	520	0.62
CKD43-330MC	33 \pm 20%	100KHz,1V	540	0.56
CKD43-390MC	39 \pm 20%	100KHz,1V	585	0.52
CKD43-470MC	47 \pm 20%	100KHz,1V	845	0.44
CKD43-560MC	56 \pm 20%	100KHz,1V	935	0.42
CKD43-680MC	68 \pm 20%	100KHz,1V	1110	0.37
CKD43-820MC	82 \pm 20%	100KHz,1V	1180	0.35
CKD43-101MC	100 \pm 20%	1KHz,1V	1190	0.25
CKD43-121MC	120 \pm 20%	1KHz,1V	1400	0.26
CKD43-151MC	150 \pm 20%	1KHz,1V	1860	0.23
CKD43-181MC	180 \pm 20%	1KHz,1V	2040	0.20
CKD43-221MC	220 \pm 20%	1KHz,1V	2850	0.18
CKD43-271MC	270 \pm 20%	1KHz,1V	3175	0.16
CKD43-331MC	330 \pm 20%	1KHz,1V	3980	0.13

贴片功率电感
SMD POWER INDUCTOR

TYPE NAME: CKD53

Part No./品名	Inductance/电感值 (μ H)	Test Condition/ 测试条件	D.C.R./直流阻抗 ($m\Omega$)MAX.	Saturation Current/ 饱和电流(A) MAX.
CKD53-1R0MC	1.0 \pm 20%	100KHz,1V	38	4.5
CKD53-2R2MC	2.2 \pm 20%	100KHz,1V	45	3.5
CKD53-3R3MC	3.3 \pm 20%	100KHz,1V	55	2.8
CKD53-3R9MC	3.9 \pm 20%	100KHz,1V	65	2.6
CKD53-4R7MC	4.7 \pm 20%	100KHz,1V	70	2.5
CKD53-5R6MC	5.6 \pm 20%	100KHz,1V	85	2.4
CKD53-6R8MC	6.8 \pm 20%	100KHz,1V	90	2.2
CKD53-8R2MC	8.2 \pm 20%	100KHz,1V	100	2.0
CKD53-100MC	10 \pm 20%	100KHz,1V	120	1.8
CKD53-120MC	12 \pm 20%	100KHz,1V	130	1.75
CKD53-150MC	15 \pm 20%	100KHz,1V	150	1.70
CKD53-180MC	18 \pm 20%	100KHz,1V	180	1.60
CKD53-220MC	22 \pm 20%	100KHz,1V	220	1.50
CKD53-270MC	27 \pm 20%	100KHz,1V	240	1.40
CKD53-330MC	33 \pm 20%	100KHz,1V	300	1.10
CKD53-390MC	39 \pm 20%	100KHz,1V	400	1.00
CKD53-470MC	47 \pm 20%	100KHz,1V	430	0.90
CKD53-560MC	56 \pm 20%	100KHz,1V	500	0.85
CKD53-680MC	68 \pm 20%	100KHz,1V	600	0.80
CKD53-820MC	82 \pm 20%	100KHz,1V	800	0.65
CKD53-101MC	100 \pm 20%	1KHz,1V	900	0.60
CKD53-121MC	120 \pm 20%	1KHz,1V	1000	0.55
CKD53-151MC	150 \pm 20%	1KHz,1V	1300	0.43
CKD53-181MC	180 \pm 20%	1KHz,1V	1500	0.40
CKD53-221MC	220 \pm 20%	1KHz,1V	2000	0.38
CKD53-271MC	270 \pm 20%	1KHz,1V	2500	0.35
CKD53-331MC	330 \pm 20%	1KHz,1V	3200	0.28

TYPE NAME: CKD54

Part No./品名	Inductance/电感值 (μ H)	Test Condition/ 测试条件	D.C.R./直流阻抗 ($m\Omega$)MAX.	Saturation Current/ 饱和电流(A) MAX.
CKD54-1R2MC	1.2 \pm 20%	100KHz,1V	20	5.00
CKD54-1R5MC	1.5 \pm 20%	100KHz,1V	25	4.80
CKD54-2R2MC	2.2 \pm 20%	100KHz,1V	27	4.50
CKD54-2R7MC	2.7 \pm 20%	100KHz,1V	30	3.50
CKD54-3R3MC	3.3 \pm 20%	100KHz,1V	35	3.00
CKD54-4R7MC	4.7 \pm 20%	100KHz,1V	40	2.80
CKD54-6R8MC	6.8 \pm 20%	100KHz,1V	80	2.50
CKD54-100MC	10 \pm 20%	100KHz,1V	100	1.45
CKD54-120MC	12 \pm 20%	100KHz,1V	120	1.40
CKD54-150MC	15 \pm 20%	100KHz,1V	140	1.30
CKD54-180MC	18 \pm 20%	100KHz,1V	150	1.20
CKD54-220MC	22 \pm 20%	100KHz,1V	180	1.10
CKD54-270MC	27 \pm 20%	100KHz,1V	200	0.95
CKD54-330MC	33 \pm 20%	100KHz,1V	230	0.85
CKD54-390MC	39 \pm 20%	100KHz,1V	320	0.80
CKD54-470MC	47 \pm 20%	100KHz,1V	370	0.72
CKD54-560MC	56 \pm 20%	100KHz,1V	420	0.68
CKD54-680MC	68 \pm 20%	100KHz,1V	465	0.61
CKD54-820MC	82 \pm 20%	100KHz,1V	600	0.58
CKD54-101MC	100 \pm 20%	1KHz,1V	700	0.52
CKD54-121MC	120 \pm 20%	1KHz,1V	930	0.48
CKD54-151MC	150 \pm 20%	1KHz,1V	1100	0.40
CKD54-181MC	180 \pm 20%	1KHz,1V	1380	0.38
CKD54-221MC	220 \pm 20%	1KHz,1V	1570	0.35

贴片功率电感
SMD POWER INDUCTOR

TYPE NAME: CKD73

Part No./品名	Inductance/电感值 (μ H)	Test Condition/ 测试条件	D.C.R./直流阻抗 ($m\Omega$)MAX.	Saturation Current/ 饱和电流(A) MAX.
CKD73-100MC	10 \pm 20%	100KHz,1V	80	1.45
CKD73-120MC	12 \pm 20%	100KHz,1V	90	1.40
CKD73-150MC	15 \pm 20%	100KHz,1V	105	1.25
CKD73-180MC	18 \pm 20%	100KHz,1V	110	1.10
CKD73-220MC	22 \pm 20%	100KHz,1V	130	1.08
CKD73-270MC	27 \pm 20%	100KHz,1V	150	0.95
CKD73-330MC	33 \pm 20%	100KHz,1V	170	0.85
CKD73-390MC	39 \pm 20%	100KHz,1V	215	0.75
CKD73-470MC	47 \pm 20%	100KHz,1V	250	0.68
CKD73-560MC	56 \pm 20%	100KHz,1V	280	0.65
CKD73-680MC	68 \pm 20%	100KHz,1V	330	0.60
CKD73-820MC	82 \pm 20%	100KHz,1V	405	0.55
CKD73-101MC	100 \pm 20%	1KHz,1V	480	0.51
CKD73-121MC	120 \pm 20%	1KHz,1V	535	0.49
CKD73-151MC	150 \pm 20%	1KHz,1V	755	0.40
CKD73-181MC	180 \pm 20%	1KHz,1V	1020	0.36
CKD73-221MC	220 \pm 20%	1KHz,1V	1200	0.31
CKD73-271MC	270 \pm 20%	1KHz,1V	1300	0.29
CKD73-331MC	330 \pm 20%	1KHz,1V	1500	0.26

TYPE NAME: CKD75

Part No./品名	Inductance/电感值 (μ H)	Test Condition/ 测试条件	D.C.R./直流阻抗 ($m\Omega$)MAX.	Saturation Current/ 饱和电流(A) MAX.
CKD75-1R2MC	1.2 \pm 20%	100KHz,1V	15	7.50
CKD75-2R2MC	2.2 \pm 20%	100KHz,1V	22	5.25
CKD75-3R3MC	3.3 \pm 20%	100KHz,1V	28	4.50
CKD75-4R7MC	4.7 \pm 20%	100KHz,1V	45	4.00
CKD75-6R8MC	6.8 \pm 20%	100KHz,1V	58	3.20
CKD75-8R2MC	8.2 \pm 20%	100KHz,1V	60	2.80
CKD75-100MC	10 \pm 20%	100KHz,1V	70	2.30
CKD75-120MC	12 \pm 20%	100KHz,1V	80	2.00
CKD75-150MC	15 \pm 20%	100KHz,1V	90	1.80
CKD75-180MC	18 \pm 20%	100KHz,1V	100	1.60
CKD75-220MC	22 \pm 20%	100KHz,1V	110	1.50
CKD75-270MC	27 \pm 20%	100KHz,1V	120	1.30
CKD75-330MC	33 \pm 20%	100KHz,1V	130	1.20
CKD75-390MC	39 \pm 20%	100KHz,1V	160	1.10
CKD75-470MC	47 \pm 20%	100KHz,1V	180	1.00
CKD75-560MC	56 \pm 20%	100KHz,1V	240	0.95
CKD75-680MC	68 \pm 20%	100KHz,1V	280	0.85
CKD75-820MC	82 \pm 20%	100KHz,1V	370	0.78
CKD75-101MC	100 \pm 20%	1KHz,1V	430	0.70
CKD75-121MC	120 \pm 20%	1KHz,1V	470	0.66
CKD75-151MC	150 \pm 20%	1KHz,1V	640	0.58
CKD75-181MC	180 \pm 20%	1KHz,1V	710	0.51
CKD75-221MC	220 \pm 20%	1KHz,1V	960	0.49
CKD75-271MC	270 \pm 20%	1KHz,1V	1110	0.42
CKD75-331MC	330 \pm 20%	1KHz,1V	1260	0.40
CKD75-391MC	390 \pm 20%	1KHz,1V	1770	0.36
CKD75-471MC	470 \pm 20%	1KHz,1V	1960	0.34

贴片功率电感
SMD POWER INDUCTOR

TYPE NAME: CKD104

Part No./品名	Inductance/电感值 (μH)	Test Condition/ 测试条件	D.C.R./直流阻抗 ($\text{m}\Omega$)MAX.	Saturation Current/ 饱和电流(A) MAX.
CKD104-100MC	10 \pm 20%	100KHz,1V	51	2.4
CKD104-120MC	12 \pm 20%	100KHz,1V	60	2.15
CKD104-150MC	15 \pm 20%	100KHz,1V	70	1.90
CKD104-180MC	18 \pm 20%	100KHz,1V	80	1.75
CKD104-220MC	22 \pm 20%	100KHz,1V	88	1.60
CKD104-270MC	27 \pm 20%	100KHz,1V	100	1.45
CKD104-330MC	33 \pm 20%	100KHz,1V	120	1.25
CKD104-390MC	39 \pm 20%	100KHz,1V	150	1.20
CKD104-470MC	47 \pm 20%	100KHz,1V	170	1.10
CKD104-560MC	56 \pm 20%	100KHz,1V	200	1.00
CKD104-680MC	68 \pm 20%	100KHz,1V	222	0.93
CKD104-820MC	82 \pm 20%	100KHz,1V	250	0.85
CKD104-101MC	100 \pm 20%	1KHz,1V	345	0.75
CKD104-121MC	120 \pm 20%	1KHz,1V	400	0.70
CKD104-151MC	150 \pm 20%	1KHz,1V	540	0.63
CKD104-181MC	180 \pm 20%	1KHz,1V	620	0.55
CKD104-221MC	220 \pm 20%	1KHz,1V	720	0.51
CKD104-271MC	270 \pm 20%	1KHz,1V	950	0.45
CKD104-331MC	330 \pm 20%	1KHz,1V	1100	0.42
CKD104-391MC	390 \pm 20%	1KHz,1V	1250	0.38
CKD104-471MC	470 \pm 20%	1KHz,1V	1520	0.35
CKD104-561MC	560 \pm 20%	1KHz,1V	1900	0.32

TYPE NAME: CKD105

Part No./品名	Inductance/电感值 (μH)	Test Condition/ 测试条件	D.C.R./直流阻抗 ($\text{m}\Omega$)MAX.	Saturation Current/ 饱和电流(A) MAX.
CKD105-100MC	10 \pm 20%	100KHz,1V	60	2.60
CKD105-120MC	12 \pm 20%	100KHz,1V	70	2.45
CKD105-150MC	15 \pm 20%	100KHz,1V	80	2.25
CKD105-180MC	18 \pm 20%	100KHz,1V	90	2.15
CKD105-220MC	22 \pm 20%	100KHz,1V	100	1.95
CKD105-270MC	27 \pm 20%	100KHz,1V	110	1.75
CKD105-330MC	33 \pm 20%	100KHz,1V	120	1.50
CKD105-390MC	39 \pm 20%	100KHz,1V	140	1.35
CKD105-470MC	47 \pm 20%	100KHz,1V	170	1.28
CKD105-560MC	56 \pm 20%	100KHz,1V	190	1.17
CKD105-680MC	68 \pm 20%	100KHz,1V	220	1.11
CKD105-820MC	82 \pm 20%	100KHz,1V	250	1.00
CKD105-101MC	100 \pm 20%	1KHz,1V	350	0.97
CKD105-121MC	120 \pm 20%	1KHz,1V	400	0.89
CKD105-151MC	150 \pm 20%	1KHz,1V	470	0.78
CKD105-181MC	180 \pm 20%	1KHz,1V	630	0.72
CKD105-221MC	220 \pm 20%	1KHz,1V	730	0.66
CKD105-271MC	270 \pm 20%	1KHz,1V	970	0.57
CKD105-331MC	330 \pm 20%	1KHz,1V	1150	0.52
CKD105-391MC	390 \pm 20%	1KHz,1V	1300	0.48
CKD105-471MC	470 \pm 20%	1KHz,1V	1480	0.42
CKD105-561MC	560 \pm 20%	1KHz,1V	1980	0.33
CKD105-681MC	680 \pm 20%	1KHz,1V	2250	0.28
CKD105-821MC	820 \pm 20%	1KHz,1V	2550	0.24

※ The saturation current when the inductance decreases to 75% of initial value. (Ta=25°C)